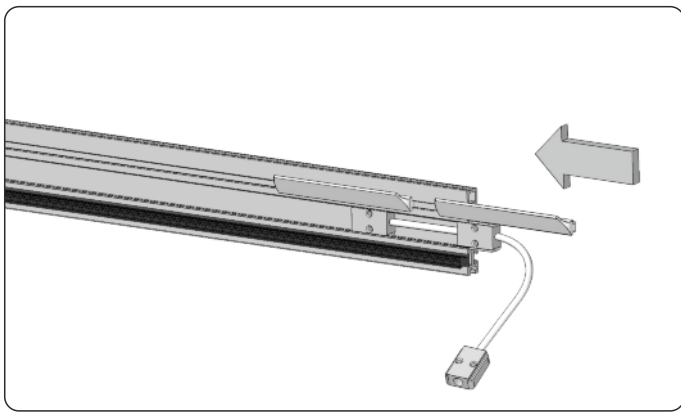


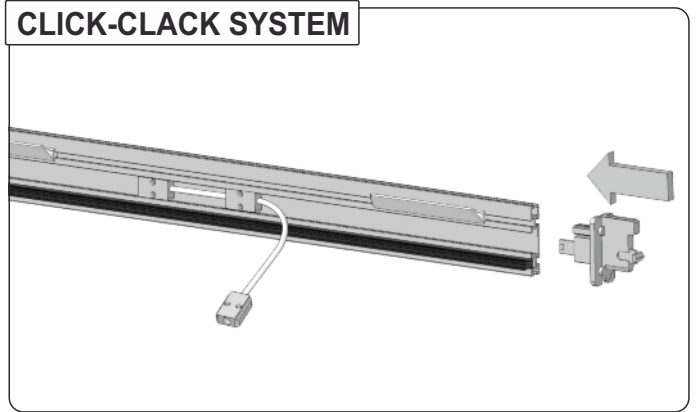


INSTRUCTIONS FOR INSTALLATION OF MOSQUITO NETS IN TOP MOUNTED SHUTTERS

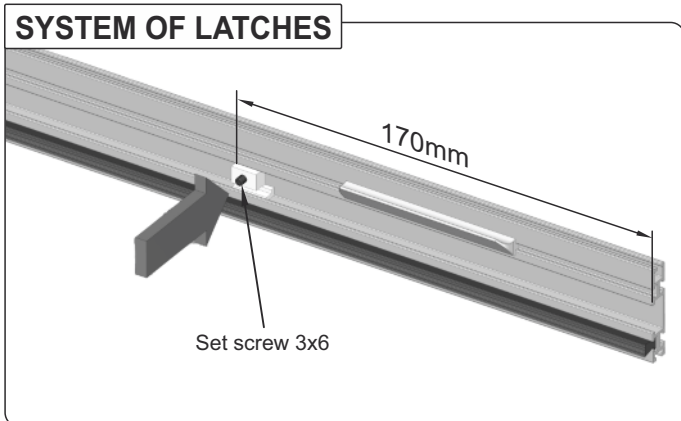




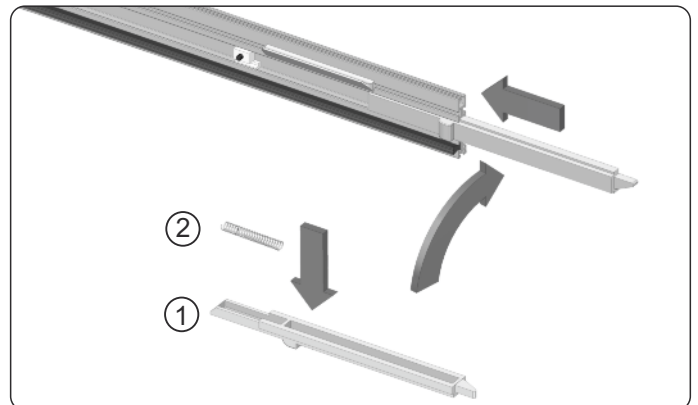
1. Slide handles and handle bob in the bottom strip.



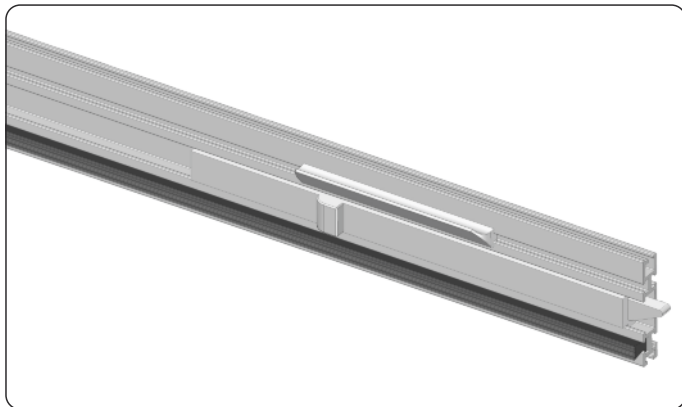
2. Insert body with click-clack system latch on one end of the bottom strip.



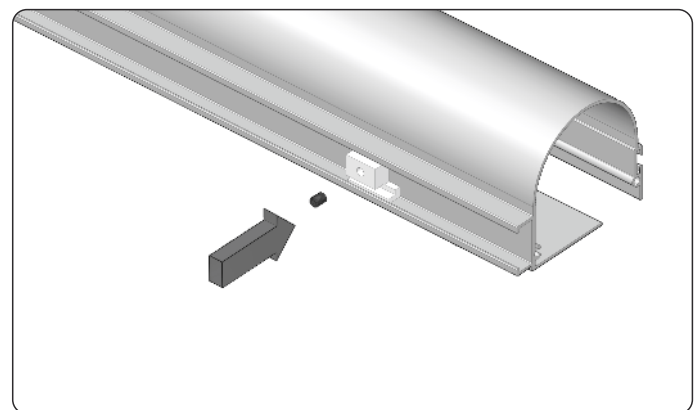
3. Insert the lock latch in the central channel of the bottom strip of the mosquito net, maintaining dimension of 170 mm from the end to the edge of the lock, then lock it by screwing the set screw.



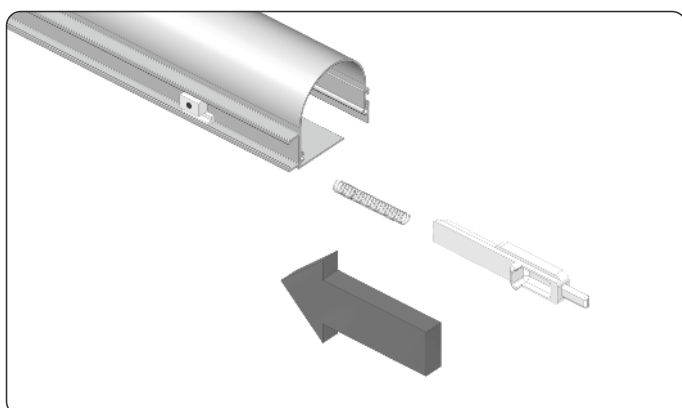
4. In the bottom of the latch (1) insert the spring (2) and insert the assembled set in the channel of the bottom strip of the mosquito net, in which the lock is placed. Press the latch with the spring on the lock.



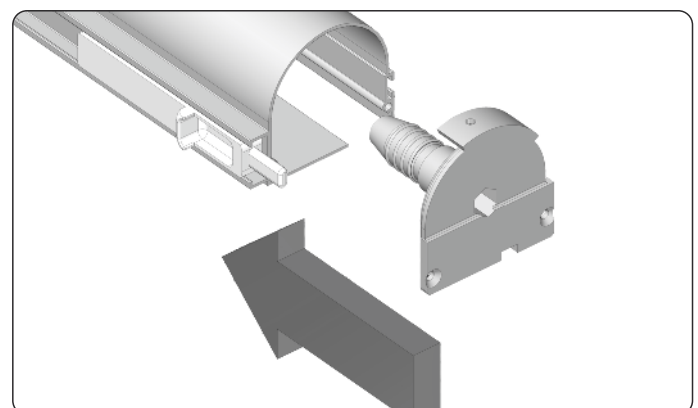
5. View of the bottom strip with latch mounted.



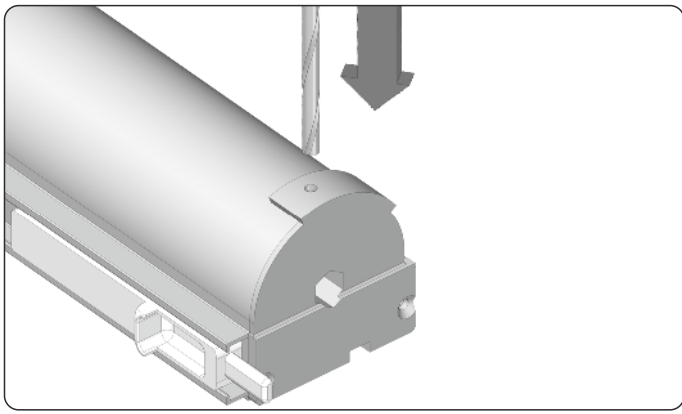
6. Insert the latch lock in the central channel and tighten with the screw included in the set.



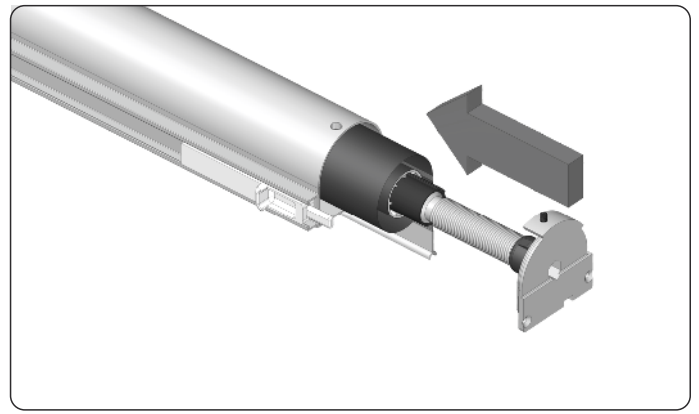
7. Insert the spring in the bottom part of the latch and put the whole set in the channel with the lock and press the latch on it.



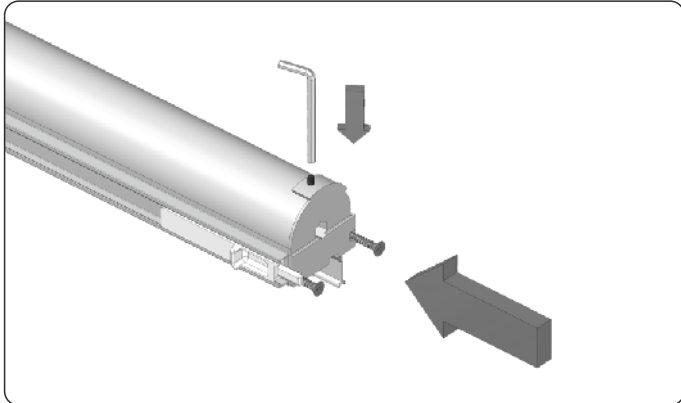
8. To determine the location for the upper screw put the measurement side cover to the housing on the spring break side.



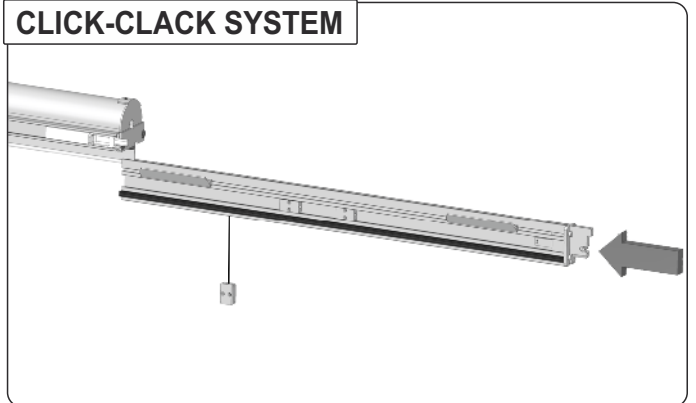
9. Drill holes on the top with fi 3,6 mm drill.



10. Place the mesh with tube on the side cover of the mosquito net housing so that the tongue on the brake and bush comes into the grooves on the mosquito net tube.



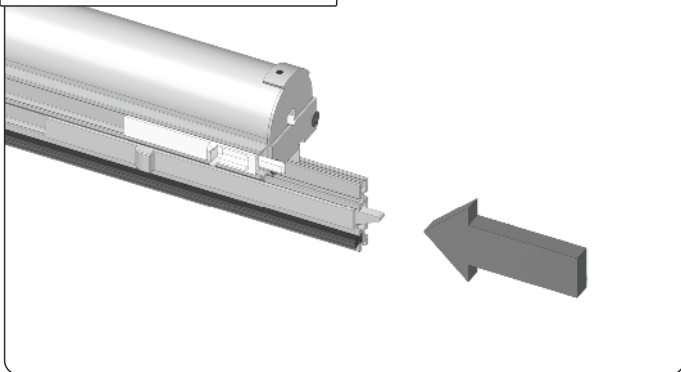
11. Screw the side cover to the housing, the upper screw with Allen key 2. NOTE: screw the top screw so that its top surface faces the side flange - otherwise the screw can catch with mosquito net.



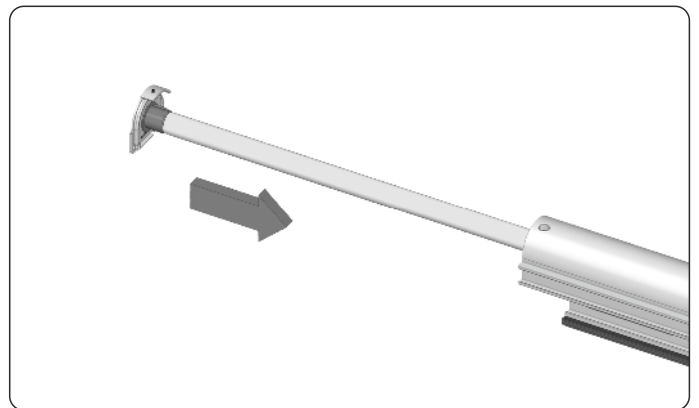
CLICK-CLACK SYSTEM

12. Start pulling the bottom rail on the mosquito net with the part where there is no body with the latch.

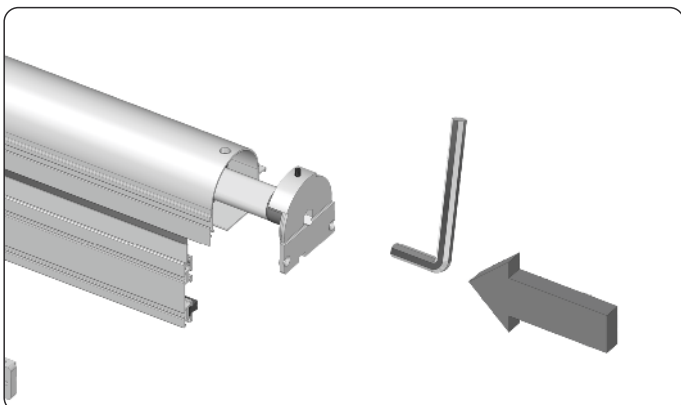
SYSTEM OF LATCHES



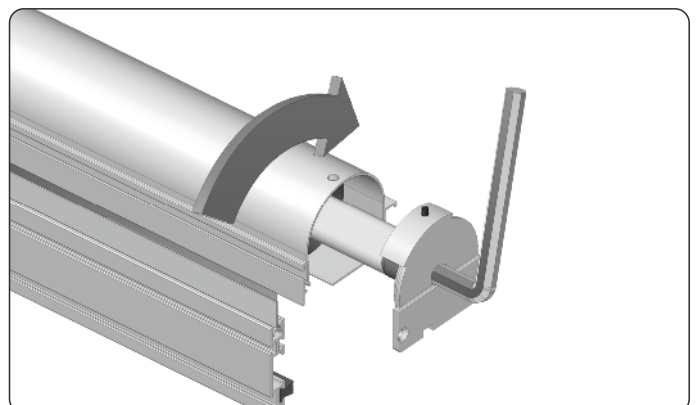
13. Slide the bottom strip on the rubber seal of the mosquito net.



14. From the other side, put the side with the spring in the mosquito net tube so that the tongue on the spring sleeve comes into tongues located on the mosquito net tube.



15. After partially inserting the spring, insert the Allen key 8 into the hole in the side.



16. Screw spring in the direction of rolling up the net. Select the number of rotations according to table 1.

Table 1. Spring rolls of mosquito net - CLICK-CLACK SYSTEM top mounted shutters

Shutter height [cm]	Shutter width [cm]								
	55-60	60-65	65-70	80	100	120	140	160	180
Up to 200	11**	11***	12****	16*	17*	18*	19*	20*	20*
From 201 to 250	11**	11***	12****	16*	17*	18*	18*	19*	19*

* - tolerance of mosquito net spring winding +/- 2 turns

** - for the width of the shutter up to 60 cm use shorter spring with the length of 240 mm (tolerance of mosquito net spring winding +/- 2 turns),

*** - for the width of the shutter from 60 cm to 65 cm use a spring with the length of 260 mm (tolerance of mosquito net spring winding +/- 2 turns),

**** - for the width of the shutter from 65 cm to 70 cm use a spring with the length of 310 mm (tolerance of mosquito net spring winding +/- 2 turns).

Table 2. Spring rolls of mosquito net - SYSTEM OF LATCHES top mounted shutters

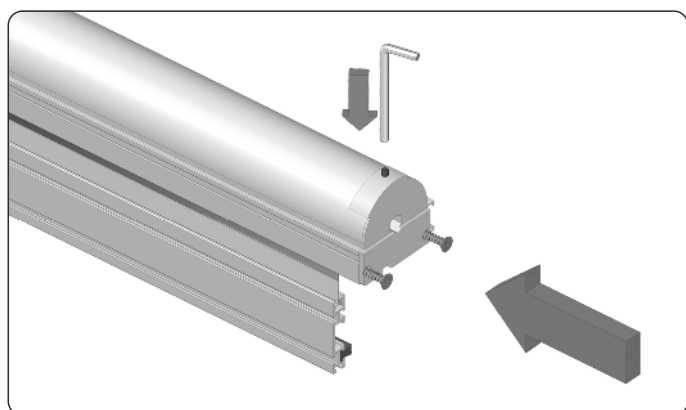
Shutter height [cm]	Shutter width [cm]								
	55-60	60-65	65-70	80	100	120	140	160	180
Up to 200	14**	15***	15****	19*	20*	21*	22*	23*	23*
From 201 to 250	14**	15***	15****	19*	20*	21*	21*	22*	22*

* - tolerance of mosquito net spring winding +/- 2 turns

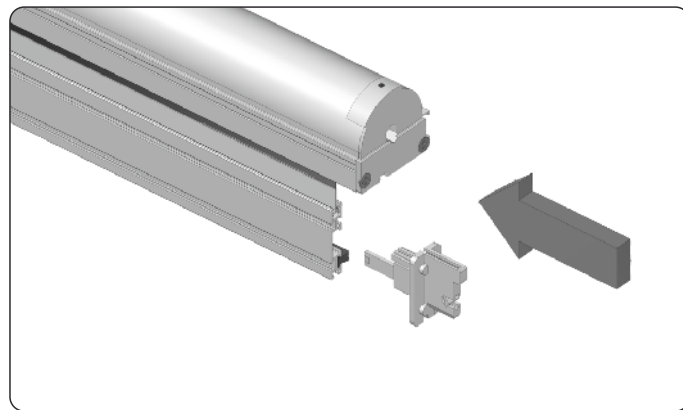
** - for the width of the shutter up to 60 cm use shorter spring with the length of 240 mm (tolerance of mosquito net spring winding +/- 2 turns),

*** - for the width of the shutter from 60 cm to 65 cm use a spring with the length of 260 mm (tolerance of mosquito net spring winding +/- 2 turns),

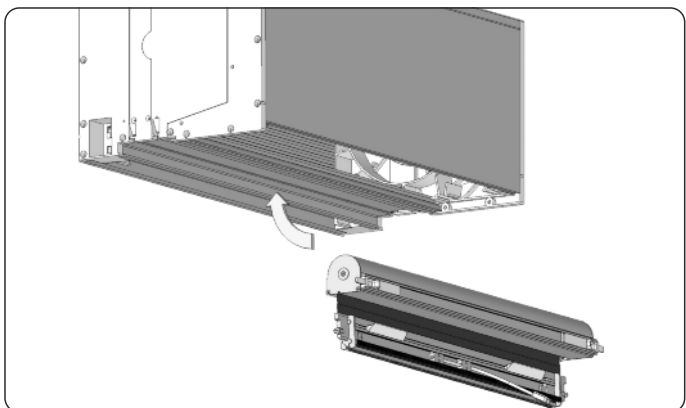
**** - for the width of the shutter from 65 cm to 70 cm use a spring with the length of 310 mm (tolerance of mosquito net spring winding +/- 2 turns).



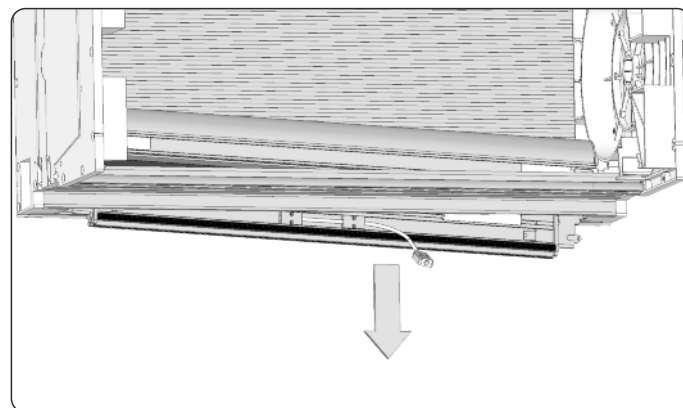
17. After inserting, screw the side cover with screws, the upper screw with Allen key 2.



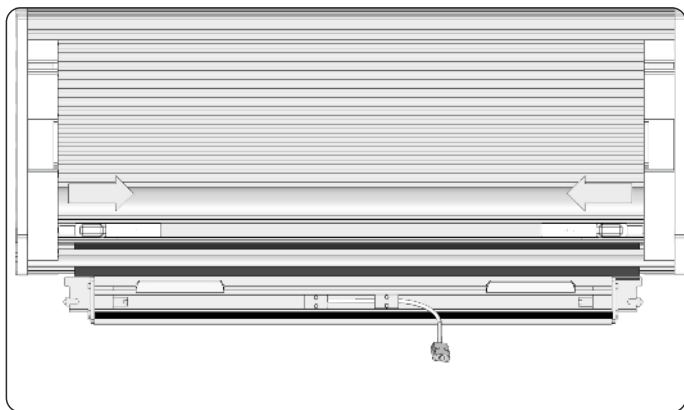
18. When using the CLICK-CLACK system put the body with latch.



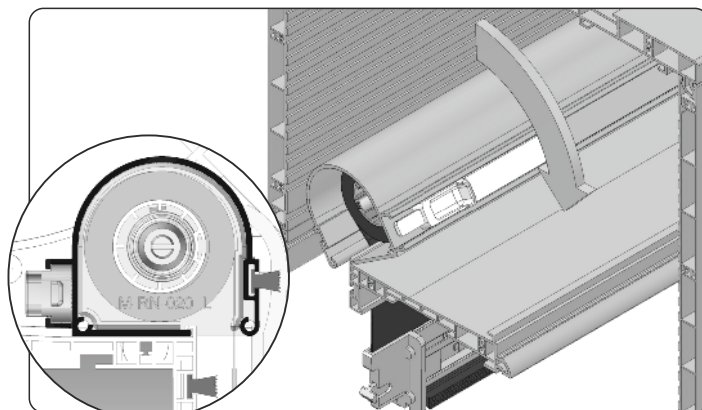
19. Put the assembled housing with the mosquito net to the box through inspection hole.



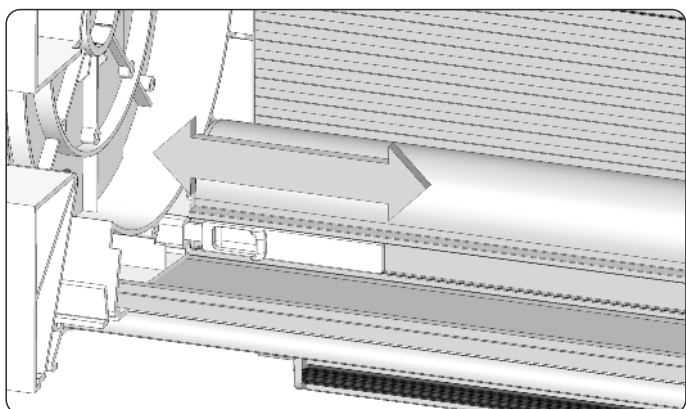
20. To properly install the housing in the box it must be slightly tilted to allow pulling the bottom strip with the mesh through the hole for mosquito net in the shutter box.



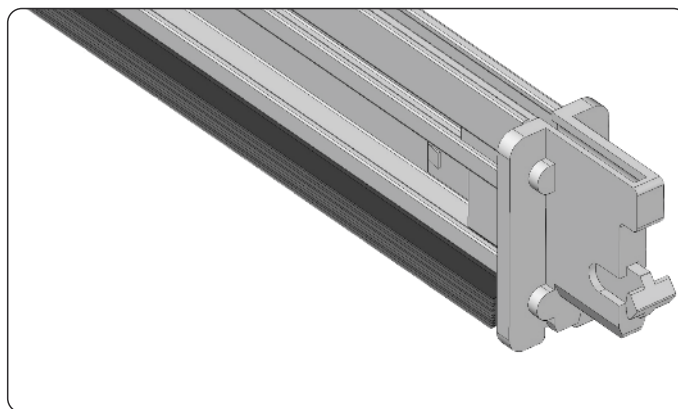
21. After removing the net with the bottom strip, straighten out the housing and move the latches back.



22. Install the housing in the box by its slight rotation and inserting bottom of the housing in the holder on the lower box profile.



23. After mounting the housing in the holder fit pins of the latches into holes in the side cover. After adjusting, release the latches that will snap into the holes and block the mosquito net housing.



24. For the bottom strip of mosquito net use a brush seal with dimensions: 5,5 x 25 mm. In the mosquito net housing use a brush seal with dimensions 7 x 6 mm.

WARNING: After installing the housing in the box free space sideways should not be greater than 2 mm.